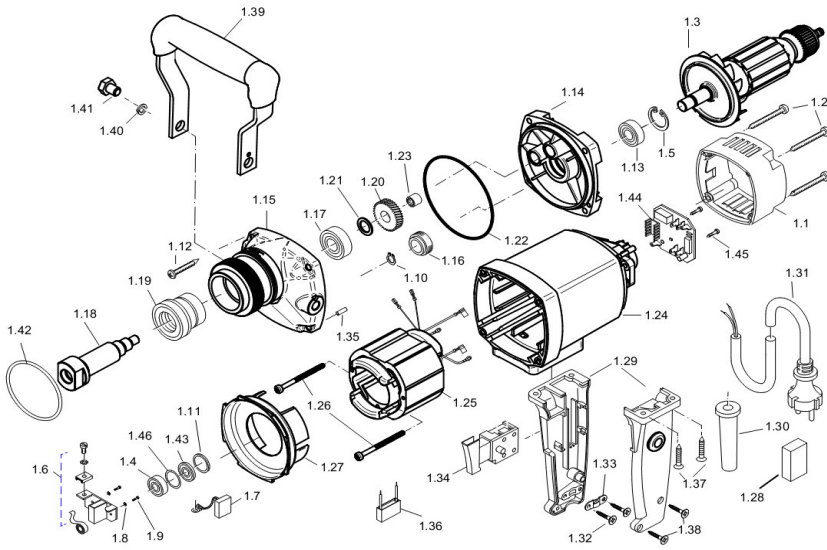
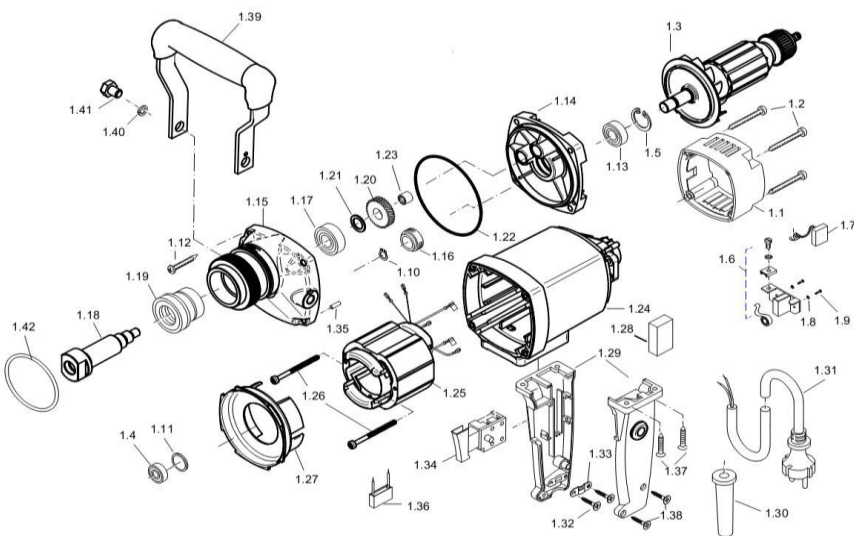


Motor EKF 300/450/452

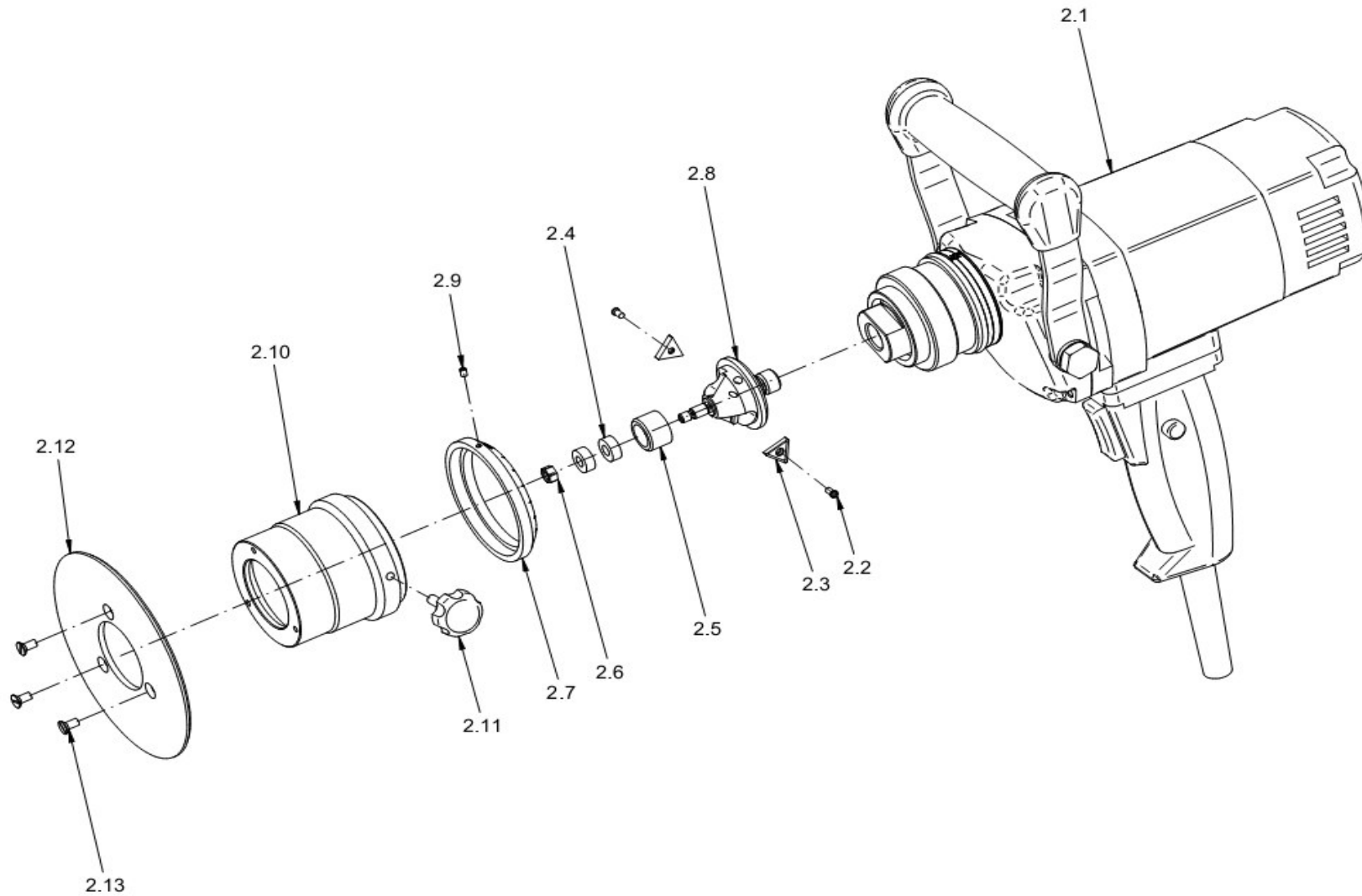


Motor EKF 300.1/450.1/452.1



Pos. No.	Article no.	Description	pc
1.1	5010691	Cap for motor housing	1
1.2	5010581	Screw HC 4,8x45 DIN 7981	4
1.3.1.1	5014211	Armature 110V until April 2011	1
1.3.2.1	5012711	Armature 110V since April 2011	1
1.3.1.2	5012701	Armature 230V until March 2009	1
1.3.2.2	5014221	Armature 230V since March 2009	1
1.4	5010061	Ball bearing 608 2Z	1
1.5	5010271	Circlip ring 28/1,2 DIN 472	1
1.6	5010562	Carbon brush holder	2
1.7	5014571	Carbon brush 6,3x12,5x18	2
1.8	5013981	Corrugated spring washer B4 DIN137	4
1.9	5013991	Self tapping screw ZM4x12	4
1.10	5010711	Circlip ring 11/1 DIN 471	1
1.11	5010591	O-Ring 22x2,5	1
1.12	5010221	Screw HC 4,8x38 DIN 7981	4
1.13	5012501	Ball bearing 6001 2RS	1
1.14	5012681	Gearbox bearing plate	1
1.15	5012631	Gearbox housing	1
1.16	5012691	Worm seal 1	1
1.17	5012641	Ball bearing 6002 2RS	1
1.18	5012601	Spindle	1
1.19	5012611	Needle axial ball bearing NAXK20Z	1
1.20	5012661	Spindle gear 33 teeth	1
1.21	5012651	Washer 12x18x0,2 DIN 988	1
1.22	5013481	O-Ring 85x1,78	1
1.23	5010351	Needle bearing HK 0810	1
1.24	5010701	Motor housing complete	1
1.25.1.1	5014361	Field coil 110V until April 2011	1
1.25.2.1	5012741	Field coil 110V since April 2011	1
1.25.1.2	5012731	Field coil 230V until March 2009	1
1.25.2.2	5010671	Field coil 230V since March 2009	1
1.26	5010031	Screw HC 3,9x60 DIN 7981	2
1.27	5010641	Air conducting ring	1
1.28	5014341	Block 30x20x15	1
1.29	5012801	Handle pair	1
1.30	5012851	Cable bushing	1
1.31.1.1	7010052	Connection cable 110V with GB-plug	1
1.31.2.1	7010242	Connection cable 110V with US-plug	1
1.31.1.2	7010042	Connection cable 230V complete with plug	1
1.32	5010021	Screw HC 4,2x13 DIN 7981	2
1.33	5014791	Cord grip clamp	1
1.34	5012781	Incorporated switch	1
1.35	5010291	Steckkerbstift M4x12 DIN 1474	1
1.36	5012791	Decoupling capacitor	1
1.37	5012831	Screw HC 4,8x22 DIN 7981	4
1.38	5012841	Screw HC 4,2x16 DIN 7981	2

1.39	5012881	Handle	1
1.40	5012891	Spring ring A10 DIN 128	2
1.41	5012901	Screw M10x16 DIN 933	2
1.42	5012871	O-Ring NBR 70 52x3	1
1.43	5010781	Ring magnet only for version until March 2009 (230V) /April 2011 (110V)	1
1.44.1	5012761	Motor board 110V only for version until April 2011 (not available anymore, because not necessary anymore)	1
1.44.2	5012751	Motor board 230V only for version until March 2009 (not available anymore, because not necessary anymore)	1
1.45	5012771	Screw HC 2,9x13 DIN 7981 only for version until March 2009 (230V) /April 2011 (110V)	2
1.46	5014731	Press board washer only for version until March 2009 (230V) /April 2011 (110V)	1



Pos. No.	Article no.	Description	pc
2.1.1.1	5112861	Motor 110V until April 2011	1
2.1.2.1	5112862	Motor 110V since April 2011	1
2.1.1.2	5012861	Motor 230V until March 2009	1
2.1.2.2	5012862	Motor 230V since March 2009	1
2.2	7012021	Clamping screw SS-3,0 - 1 for SHM 200	3
2.3.1	SHM 200	HM-High speed insert 30°/45°	3
2.3.2	SHM 200-E	HM-High speed insert 30°/45° VARIO-coated for stainless steel	3
2.3.3	SHM 202	HM-High speed insert R=2,5mm for ZFR 452.3	3
2.4	7012051	Ball bearing DIN 625-1 628/6-2Z	4
2.5.1	7012041	Guide bushing 30°	1
2.5.2	7012031	Guide bushing 45°	1
2.6	7012061	Counter-nut M5 DIN 985	1
2.7	7012071	Scale	1
2.8.1.1	ZFR 300	Milling tool 30° for 2 HM-high speed inserts until October 2010 not available anymore	1
2.8.1.2	ZFR 300.3	Milling tool 30° for 3 HM-high speed inserts since October 2010	1
2.8.2.1	ZFR 450	Milling tool 45° for 2 HM-high speed inserts until October 2010 not available anymore	1
2.8.2.2	ZFR 450.3	Milling tool 45° for 3 HM-high speed inserts since October 2010	1
2.8.3.1	ZFR 452	Milling tool 45° incl. caster for 2 high speed inserts with radius until October 2010 not available anymore	1
2.8.3.2	ZFR 452.3	Milling tool 45° incl. caster for 2 high speed inserts with radius since October 2010	1
2.9	5012911	Set screw M3x4 DIN 913	1
2.10	7012081	Stop pin	1
2.11	7012091	Star screw	1
2.12	7012101	Stop disc	1
2.13	5012921	Counter-sunk screw M4x8 DIN 965	3